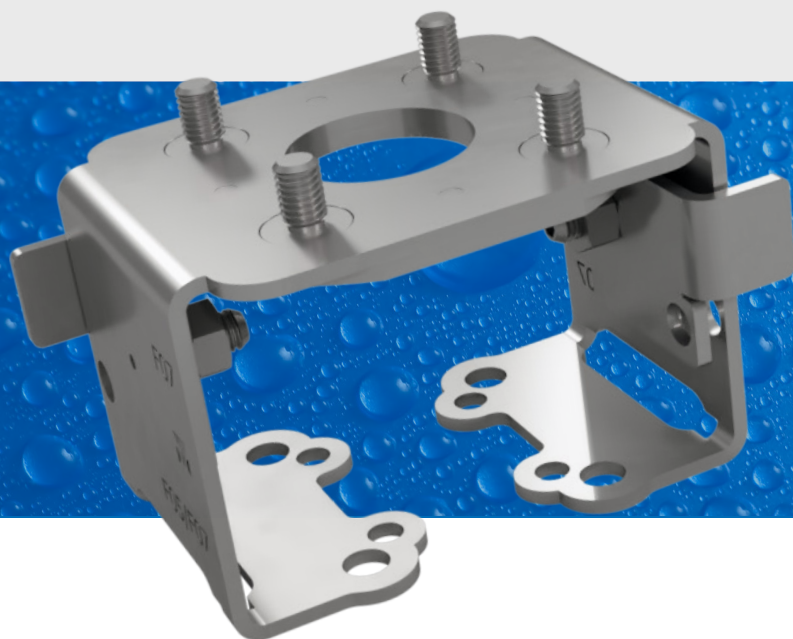




Know-how makes the difference

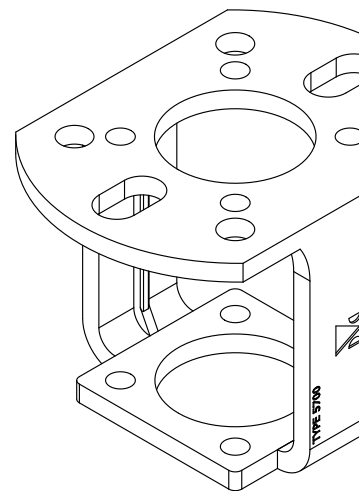


# Brackets



With us as your business partner, you are always guaranteed a wide and well sorted product range and a unique technical know-how

Product development is a key factor for us, ensuring you the best products at any time



Heavy-duty  
Long Service  
Easy Mounting  
Easy Adjusting

What is important to you, when you buy brackets? What about: Easy mounting? Adjustability? Long service? Robust design? Easy and safe maintenance?

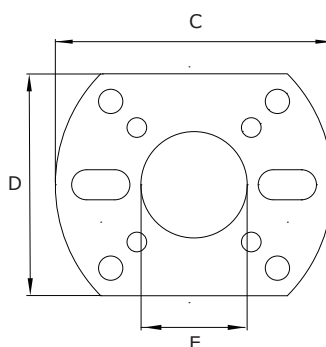
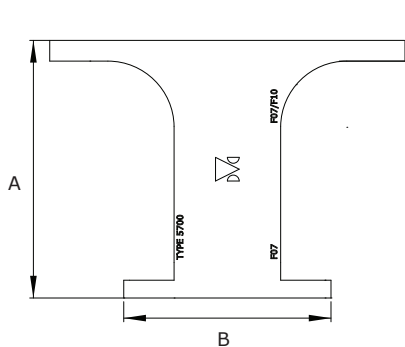
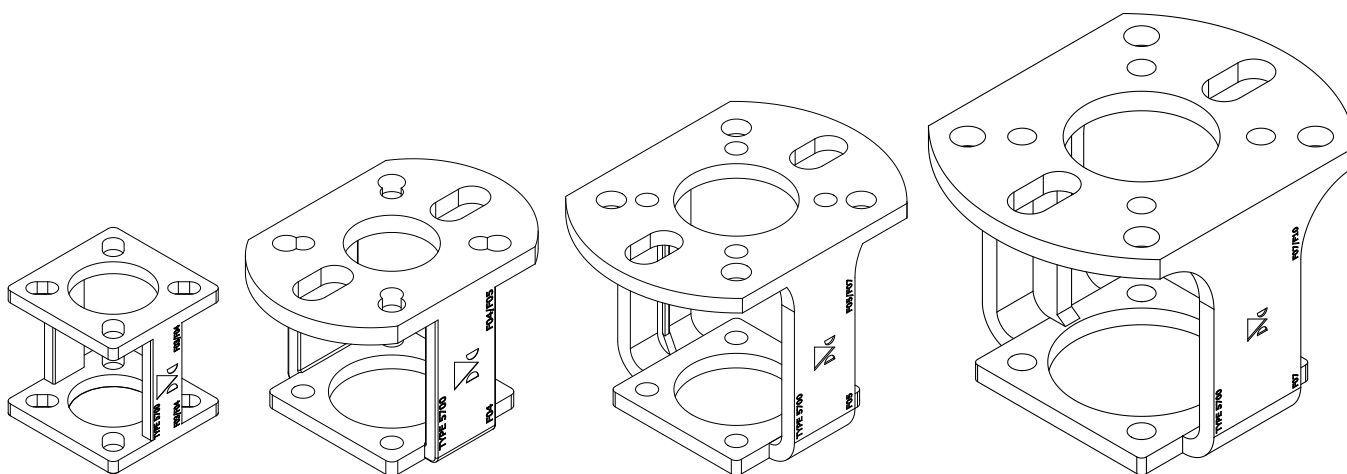
Brackets from us are characterized by their easy mounting and easy adjusting. The brackets are available in a wide range of dimensions and at very competitive prices.



Bracket  
Type 5700  
Material AISI 304



- **Easy mounting**  
Type 5700 has a simple construction and is therefore very easy to mount.
- **No maintenance**  
Type 5700 requires no maintenance.
- **Heavy-duty**  
Type 5700 has a robust design and is made of AISI 304. This type of bracket is cast - not welded - making it very durable.

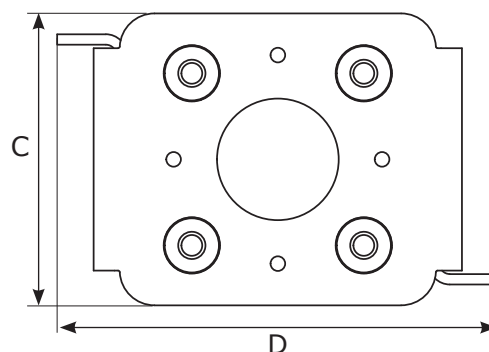
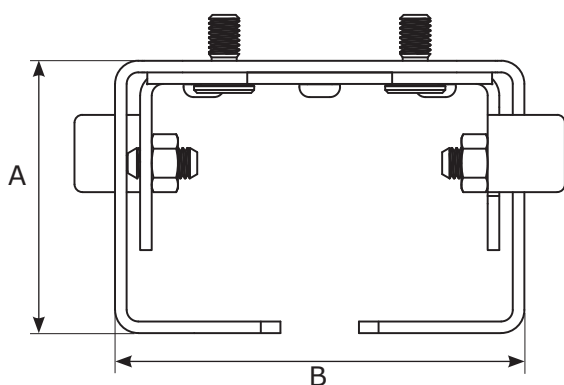


Size [mm]	A	B	C	D	E	F	Top ISO 5211	Bottom ISO 5211
1	42	42	42	42	Ø 25	Ø 25	F03 / F04	F03/F04
2	47	42	74	50	Ø 23	Ø 30	F04 / F05	F04
3	70	50	95	70	Ø 35	Ø 35	F05 / F07	F05
4	87	70	120	96	Ø 46	Ø 55	F07 / F10	F07

SMART Bracket  
Type 5730  
Material AISI 304



- **Easy mounting**  
Type 5730 has a simple construction and is therefore very easy to mount even with pneumatic tools.
- **Easy maintenance**  
Type 5730 requires no tools for maintenance.
- **Safety**  
During maintenance it is easy to dismount the actuator making sure that the valve cannot be activated unintentionally.

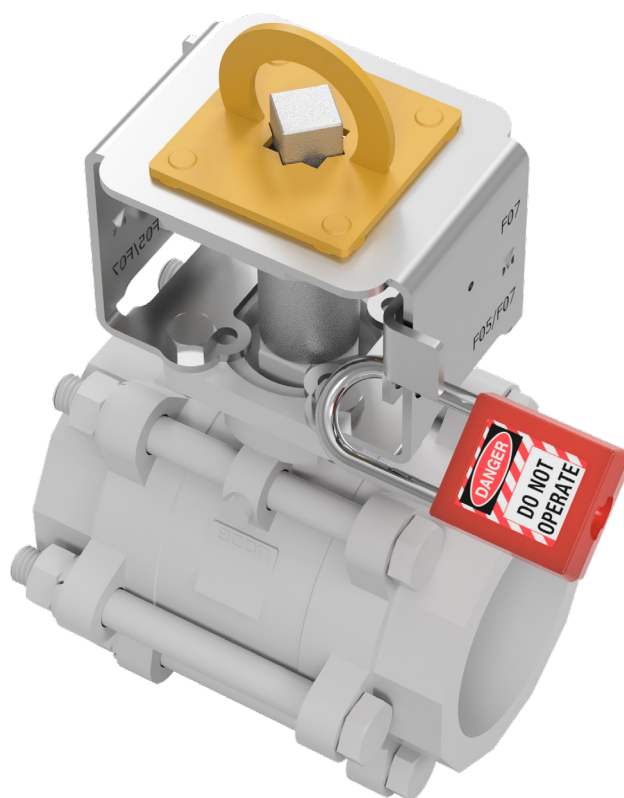


Size	A [mm]	B [mm]	C [mm]	D [mm]	Top ISO 5211	Bottom ISO 5211
2	47,5	98,0	73,0	119,0	F05	F05/F04
3	70,5	106,0	84,0	127,0	F07	F07/F05
4	87,5	139,0	112,0	160,0	F10	F10/F07

Lock-out plate  
Type 5730  
Material AISI 304



- Safety**  
 With the SMART Bracket, it is possible to lock the valve in the desired position and avoid unintended maneuvering. It can help maintain the high level of safety during maintenance. Remove the actuator and mount the Lock-out plate. The valve is now blocked and the bracket can be further secured with a padlock.

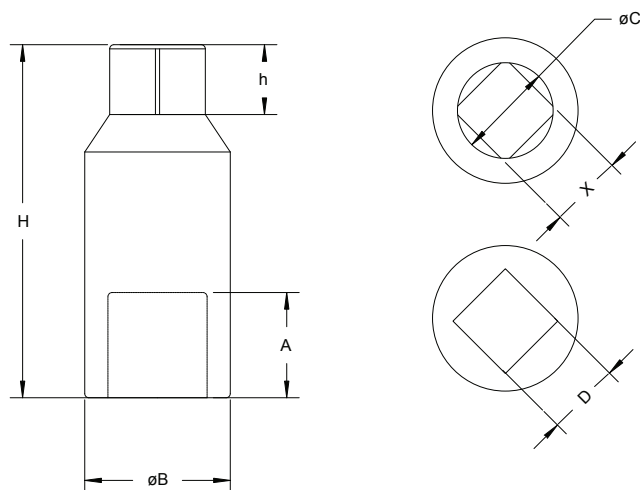


Size	ISO 5211	Star
2	F05	9 mm
2	F05	11 mm
3	F07	14 mm
3	F07	17 mm
4	F10	17 mm
4	F10	22 mm

Coupling  
Type 580  
Material AISI 304



- Brackets & Couplings  
All couplings are made to fit either bracket type 5700 size 1 - 4 and bracket type 5750 (Quick Brackets) size 1 - 4.
- Heavy-duty and simple  
Type 580 has a robust design and is made of AISI 304.



Product no.	A	øB	øC	D	H	h	X
5800210099	13	21.5	14.0	9	54	12	9
5800210091	11	17.0	14.5	9	55	12	11
5800220111	15	19.5	14.0	11	59	11	11
5800220114	13	22.0	17.5	11	62	15	14
5800230144	29	25.0	18.0	14	85	15	14
5800230177	18	29.5	23.0	17	84	17	17
5800240177	20	32.0	22.0	17	110	20	17
5800240172	34	34.5	27.5	17	105	25	22
5800240122	32	32.0	27.5	22	101	15	22

Closed stem extension  
with packing  
Type E7412  
Material CF8M



- **Closed stem extension**  
This type of bracket is used as stem extension, to lift the handle or actuator from the valve in case of excessive heat, cold or insulation.
- **Extra security leak to the atmosphere.**  
Along with ball valve you get two full maintenance glands with disc springs, v-rings and viton O-ring.
- **No leaks in insulation.**  
The stem extension is tight against the ball valve and the isolation of the unit avoids leakage in the insulation at the risk of corrosion and spontaneous combustion.
- **Inspection port can be blocked with a screw.**

Closed stem extension  
Type 5861  
Material CF8M



- **Closed stem extension**  
This type of bracket is used as stem extension, to lift the handle or actuator from the valve in case of excessive heat or cold.
- **Easy insulation around valve and extension.**
- **No maintenance**  
Type 5861 requires no maintenance.
- **Heavy-duty**  
Type 5861 has a robust design and is made of stainless steel.



# Know-how makes the difference

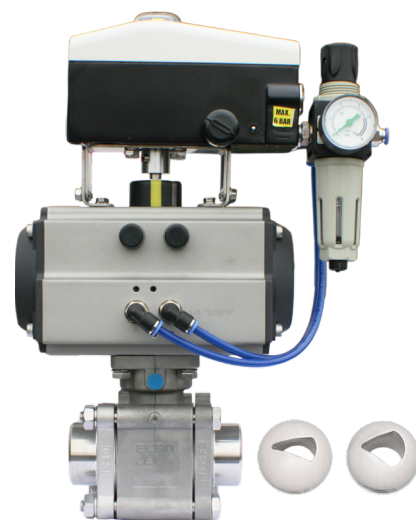
## Product Range

- Ball Valves
- Butterfly Valves Soft Seated
- Butterfly Valves Metal Seated
- Angle Seat Valves
- Thin Wafer Check Valves
- Safety Valves
- Knife Gate Valves
- Pneumatic Actuators
- Electrical Actuators
- Brackets for Actuators
- Limit Switches
- Level Gauges - Reflex & Transparent
- Control Valves
- Pressure Reducing Valves

Our products reflect many years of industry experience. We stock many valve types and accessories such as e.g. ball valves, actuators, butterfly valves, safety valves, globe valves, gate valves, needle valves,

steam traps, level gauge, strainers.

Visit us at [www.dvcas.dk](http://www.dvcas.dk) and learn more about us and our products.



### DVC - Armatec A/S

Ferravej 14  
DK-7100 Vejle  
Denmark

Tel.: +45 75 72 33 00  
Fax: +45 75 72 75 15  
E-mail: [mail@dvcas.dk](mailto:mail@dvcas.dk)  
Web: [www.dvcas.dk](http://www.dvcas.dk)

